

# NZ30K6330RS

## 30" Electric Cooktop



Stainless Steel

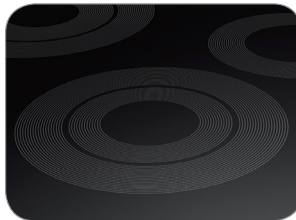


### Features

- WiFi Connectivity
- Flexible Cooktop:
  - Rapid Boil™ Burner (3.3 kW)
  - Two Dual Burners (9"/6" and 8"/5")
  - Two Single Burners (7")
- 9.5 kW Total Power

### Convenience

- Hot Surface Indicator Light
- Easy-To-Clean Glass, Ceramic Cooktop
- Dishwasher-Safe Knobs



Rapid Boil™



LED Illuminated Backlit Knobs

### Signature Features

#### Rapid Boil™

- Up to 3.3 kW power burner offers intense heat and precise control to quickly boil water or maintain a low even simmer.

#### Flexible Cooktop

- Whether you're boiling water, melting chocolate or simmering sauce, there's a burner for your needs.

#### LED Illuminated Backlit Knobs

- Visually lets you know your cooktop is on, even at a distance.

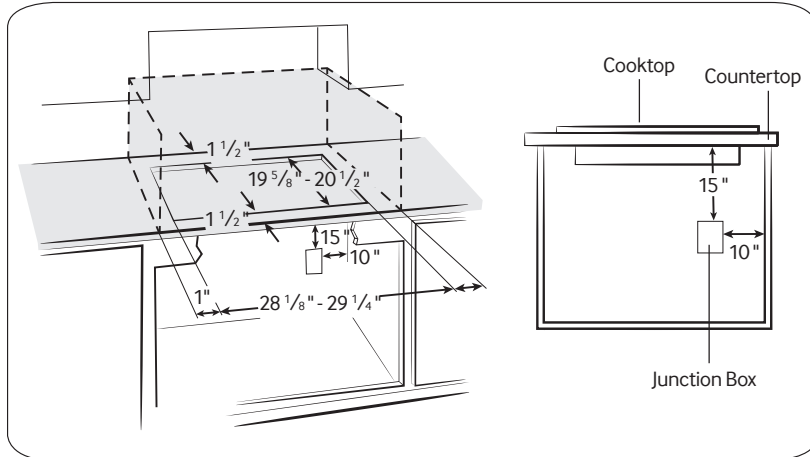
**SAMSUNG**

# NZ30K6330RS

## 30" Electric Cooktop

### Installing Your Cooktop

Can be installed over a single oven.



### Total Power

- 9.5 kW

### Power Source

- 240V/40 Amps

### Electric Cooktop

- Left Front: 7", 1.5 kW
- Left Rear: 7", 1.5 kW
- Right Front: 8"5", 2 kW
- Right Rear: 6", 1.2 kW (Melt)
- Center: 9"6", 3.3 kW

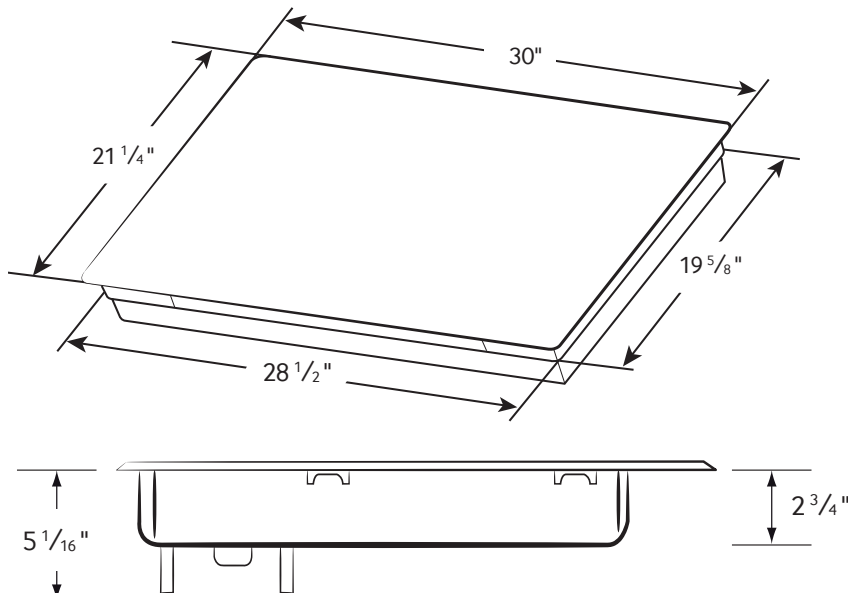
### Warranty

One (1) Year All Parts and Labour  
Five (5) Year Parts on Glass Cooktop and Radiant Heater

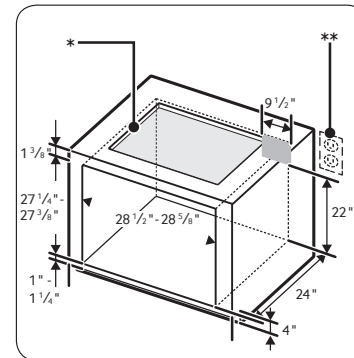
### Dimensions

#### Cooktop Dimensions

Refer to installation manual for more details.



#### Cut-out Dimensions of Countertop



\* See built-in oven installation for complete installation instructions.

See label on top of approved built-in oven models.

\*\* Refer to installation manual of oven.

COLOUR	MODEL #	UPC CODE
Stainless Steel	NZ30K6330RS	887276183329

PLEASE VISIT [SAMSUNG.COM](http://SAMSUNG.COM) FOR OUR LATEST UPDATES.

Actual colour may vary. Design, specifications, and colour availability are subject to change without notice. Non-metric weights and measurements are approximate.

© 2016 Samsung Electronics Canada Inc. All rights reserved. Samsung is a registered trademark of Samsung Electronics Co., Ltd., used with permission.

# SAMSUNG